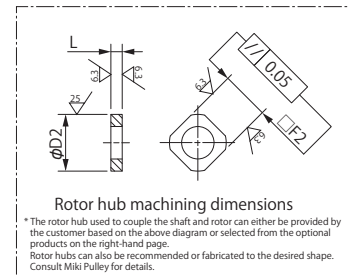
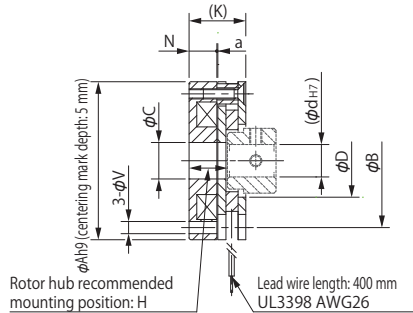


## SPRING-ACTUATED BRAKES

# BXR-LE - Datasheet FOR HOLDING

### ■ Dimensions (Brake unit)



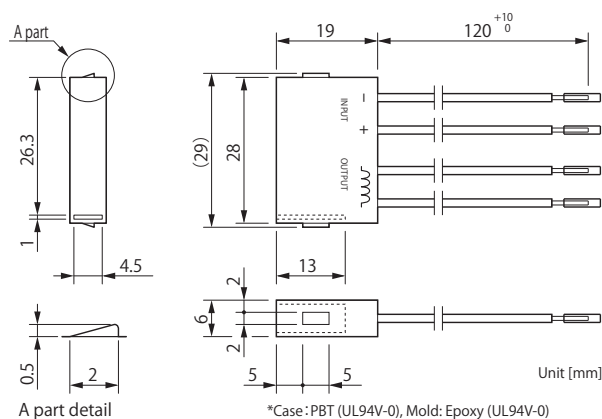
Unit [mm]

Model	Size	Radial direction dimensions [mm]									Axial direction dimensions [mm]			Rotor hub machining dimensions [mm]		
		φA	φB	φC	φD	φd max.	□ F	S	φV	H	K	N	a	L	φD2	□ F2
BXR-015-10LE	015	26	22	7	12	5	8	4.3	2.3	9.5 ~ 10.0	14.0	7.0	0.1	4 or more	10 <sup>0</sup> <sub>-0.1</sub>	8 <sup>0</sup> <sub>-0.07</sub>
BXR-020-10LE	020	32	28	9	16	8	12	5.0	2.3	9.5 ~ 10.0	14.0	7.0	0.1	4 or more	14 <sup>0</sup> <sub>-0.1</sub>	12 <sup>0</sup> <sub>-0.07</sub>
BXR-025-10LE	025	39	33	9	18	8	12	5.5	3.0	9.5 ~ 10.0	14.0	7.0	0.1	4 or more	14 <sup>0</sup> <sub>-0.1</sub>	12 <sup>0</sup> <sub>-0.07</sub>
BXR-035-10LE	035	48	42	15	28	14	19	5.5	3.0	9.5 ~ 10.0	14.0	7.0	0.1	4 or more	23 <sup>0</sup> <sub>-0.1</sub>	19 <sup>0</sup> <sub>-0.07</sub>
BXR-040-10LE	040	56	50	15	27	14	19	6.5	3.4	9.9 ~ 10.4	14.5	7.4	0.1	4 or more	23 <sup>0</sup> <sub>-0.1</sub>	19 <sup>0</sup> <sub>-0.07</sub>
BXR-050-10LE	050	71	65	22	37	20	25	8.0	4.4	14.0 ~ 14.4	19.0	10.5	0.1	4.5 or more	31 <sup>0</sup> <sub>-0.1</sub>	25 <sup>0</sup> <sub>-0.07</sub>

### ■ Specifications (Brake unit)

Model	Size	Static friction torque T <sub>s</sub> [N·m]	Coil (at 20°C)								Heat resistance class	Max. rotation speed [min <sup>-1</sup> ]	Rotating part moment of inertia J [kg·m <sup>2</sup> ]	Allowable braking energy rate E <sub>ba</sub> ℓ [J]	Total braking energy E <sub>t</sub> [J]	Armature pull-in time (24 V DC) t <sub>a</sub> [s]	Armature release time (7 V DC) t <sub>r</sub> [s]	Mass [kg]
			Overexcitation output				Normal excitation output											
			Voltage [V]	Wattage [W]	Current [A]	Resistance [Ω]	Voltage [V]	Wattage [W]	Current [A]	Resistance [Ω]								
BXR-015-10LE	015	0.06	24	16.5	0.688	35	7	1.4	0.200	35	F	6000	3.34 × 10 <sup>-8</sup>	5	1000	0.020	0.020	0.03
BXR-020-10LE	020	0.14	24	16.5	0.688	35	7	1.4	0.200	35	F	6000	5.56 × 10 <sup>-8</sup>	15	3000	0.035	0.020	0.06
BXR-025-10LE	025	0.32	24	16.5	0.688	35	7	1.4	0.200	35	F	6000	1.56 × 10 <sup>-7</sup>	15	3000	0.035	0.020	0.08
BXR-035-10LE	035	0.62	24	16.5	0.688	35	7	1.4	0.200	35	F	6000	4.83 × 10 <sup>-7</sup>	87	17000	0.050	0.020	0.12
BXR-040-10LE	040	1.32	24	16.5	0.688	35	7	1.4	0.200	35	F	6000	6.32 × 10 <sup>-7</sup>	87	17000	0.060	0.020	0.16
BXR-050-10LE	050	3.20	24	16.5	0.688	35	7	1.4	0.200	35	F	6000	1.51 × 10 <sup>-6</sup>	200	40000	0.060	0.020	0.40

### ■ Dimensions (Controller)



### ■ Specifications (Controller)

Model	BEM-24ESN7-120N		
Input voltage	24V DC ± 10% smoothing power supply		
Output voltage	Initial: 24 V DC (0.2 sec.) Constant: 7 V DC (± 10%), PWM control * When the input voltage is 21 V DC, the output voltage is cut off.		
Max. output current	1.0 A DC (ambient temp.: 20° C), 0.8 A DC (ambient temp.: 60° C)		
Time rating	Continuous		
Insulating resistance	500 V DC, 100 M Ω with Megger (input/output - between terminal and case)		
Dielectric strength voltage	1000 V AC, 50/60 Hz, 1 min. (input/output - between terminal and case)		
Ambient environment	-20 to 60° C, 5 to 95% RH, no condensation/freezing		
Mass	0.02kg		
Lead wire	Function	Description	Specification
Red	Input (+)	Connects the 24 V DC smoothing power supply (+)	UL3398 AWG26
Black	Input (-)	Connects the 24 V DC smoothing power supply (-)	UL3398 AWG26
Blue	Output	Connects the spring-actuated brake (either pole)	UL3398 AWG26
Blue	Output	Connects the spring-actuated brake (either pole)	UL3398 AWG26